

# GPS/WAAS CHART PLOTTER with Fish Finder

Model GP-1871F

Model GP-1971F



7" WIDE GPS/WAAS  
CHART PLOTTER  
with Fish Finder  
GP-1871F



9" WIDE GPS/WAAS  
CHART PLOTTER  
with Fish Finder  
GP-1971F



**C-MAP 4D**  
Digital Charts that grow with your boating needs.

GP-1871F  
GP-1971F



Plotter with AIS symbols  
\*Connection to AIS sensor required



Plotter (Night mode)

Photo: GP-1971F Plotter + Fish Finder

## Multi touch gestures for the most intuitive operation

- ◆ Clear and elegant Edge-to-edge Design.
- ◆ Daylight viewable multi touch display with excellent readability, brightness of 1000 cd/m<sup>2</sup>
- ◆ Anti-reflective glass coating, strengthened glass filter
- ◆ AF (anti-finger print) treatment on AR glass (GP-1971F)
- ◆ Internal GPS antenna for simple and easy installation
- ◆ Standard C-MAP 4D chart compatible on micro-SD card
- ◆ Internal memory: Waypoints/track 30,000 points, 1000 routes
- ◆ Autopilot (NAVpilot-300 and NAVpilot-711C) controls available on the display
- ◆ Designed to perfectly interface and work with our NAVpilot-300 and FI-70 Series!

## Intuitive graphical user interface inherited from the NavNet TZtouch2



Tap the "Home button" for instant access to the main menu and display modes.

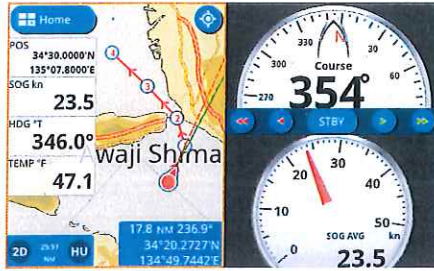


Save your favorite display modes in the Quick Page list and easily switch between modes.

## Instruments Display



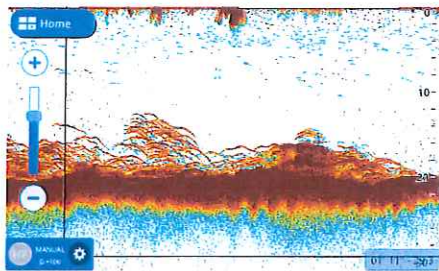
Plotter + Instruments



Autopilot Control Window

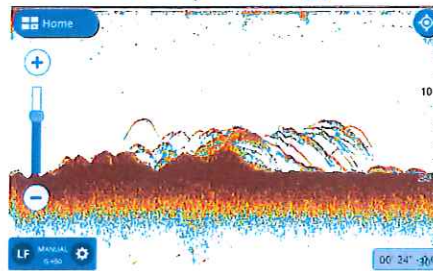
\*Connection to NAVPilot-300 or 700 series required

## CHIRP Fish Finder\*



The high level of detail available with CHIRP technology helps to distinguish fish schools, even when close to the seabed.

## RezBoost™ Technology\*\*



With Furuno's RezBoost data processing technology, schools are shown with high resolution, even when using a conventional dual-frequency transducer.

## Bottom Discrimination Function\*\*



### Graphic mode

The standard graphic display mode shows the most probable bottom composition by graphic or four colors.



### Probability mode

The probability display mode shows the most probable bottom composition in graph form.

## New Accu-Fish!\*



Enhanced Fish size analyzing function, a pattern can now be defined by combining the following parameters : size, depth, icon, color. In total, 4 patterns can be customized according to the targeted fish.

- \* Connection to a Chirp dedicated transducer required
- \*\* Connection to a dual frequency compatible transducer required

## Optional Wireless Radar Link with DRS4W



### 1st Watch Wireless Radar DRS4W(Optional)

Can be connected with the world's first wireless radar. (Output Power 4 kW)

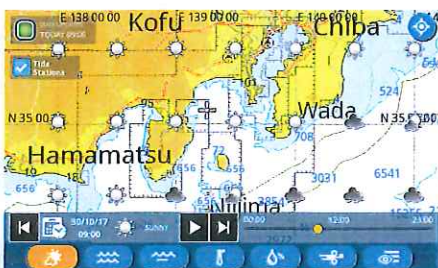
## Wireless Control

Model GC-001  
(Option)



The GC-001 can control Zoom In/Out, drop a point and change screens on the GP-1871F/1971F when it is paired with the unit.

## Built-in Wireless LAN, downloading up-to-the-minute weather service "C-Weather" via Internet



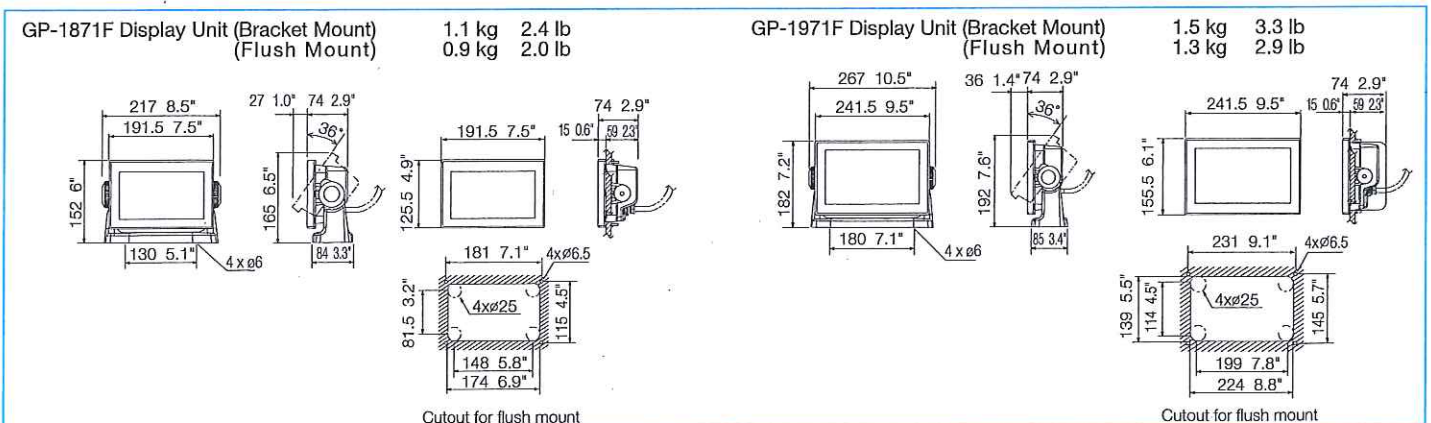
C-Weather data can be downloaded from c-map.com. Wind, Wave, Weather, Humidity and Temperature information can be displayed on the screen.

Sky conditions / Waves / Currents / Air Temperature / Humidity / Wind / Visibility

# SPECIFICATIONS OF

## Model GP-1871F/GP-1971F

	7" WIDE CHART PLOTTER GP-1871F	9" WIDE CHART PLOTTER GP-1971F
<b>GPS/WAAS</b>		
Receive Type	GPS WAAS	72 channels 1 channel
Receiving Frequency		L1 (1575.42 MHz)
Time to First FIX		80 s approx. (cold start)
Tracking Velocity		999 kn
SBAS (Satellite-based Augmentation System)		WAAS, EGNOS, MSAS
Electronic Chart		C-MAP 4D
<b>ACCURACY</b>		
Internal Antenna	GPS: 10 m Max, WAAS: 5 m Max, MSAS: 7.5 m Max	
<b>DISPLAY</b>		
Type	7" Wide Color TFT LCD	9" Wide Color TFT LCD
Screen Size	154 x 85 mm	199 x 113 mm
Screen Resolution	WVGA 800 x 480 pixels	WVGA 800 x 480 pixels
Screen Brightness	1000 cd/m <sup>2</sup> (typical)	1000 cd/m <sup>2</sup> (typical)
Language	English (US & UK), French, Spanish, German, Italian, Portuguese, Danish, Swedish, Norwegian, Finnish, Greek, Japanese, Chinese	
Display Modes	Chart Plotter, Fish Finder, Radar <sup>1</sup> , AIS <sup>2</sup> , Instruments <sup>3</sup> (Nav Data, Engine, Wind, Fuel tank, Autopilot <sup>4</sup> , etc.), GPS status *1: Connection to the 1st Watch Wireless Radar DRS4W required *2: Connection to AIS sensor required *3: Connection to external sensors required *4: Connection to the FURUNO NAVpilot-300 or 700 series required	
Memory Capacity	30,000 points for ship's track and waypoints 1,000 planned routes (Max. 50 points per route) 5,000 quickpoints	
<b>FISH FINDER</b>		
Transmit Frequency	CW: 50/200 kHz, CHIRP: 40 to 225 kHz	
Transducer	300 W or 600 W or 1 kW (Transducer dependent)	
Display Range	5-1,200 m, shift: 0-500 m	
Extension Mode	Chirp*, RezBoost**, ACCU-FISH**, Bottom Discrimination**, Auto gain (Fishing/Cruising), Manual gain, A-Scope, Marker Zoom, Bottom Zoom, Bottom Lock * Chirp dedicated transducer required. ** Dual frequency compatible transducer required.	
Picture Advance	8 steps: x4, x2, 1/1, 1/2, 1/4, 1/8, 1/16, stop	
<b>WIRELESS LAN</b>		
Transmit Frequency	2.4 to 2.472 GHz (1 or 13 channels), IEEE802.11b/g/n	
Security	WAPI, IEEE802.11i advanced security	
<b>REMOTE CONTROLLER (Option)</b>		
Transmit Frequency	2.4 GHz	
<b>INTERFACE</b>		
NMEA0183	1 Port	
Interface (NMEA0183)	Input	DBT, DPT, DSC, DSE, GGA, GLL, GNS, HDG, HDT, MTW, MWV, RMA, RMC, ROT, RSA, THS, TLL, VHW, VTG, ZDA, PFEC (GPatt/SDmrk/SDtbd/SDtfl/pireq)
	Output	AAM, APB, BOD, BWR, DBT, DPT, GGA, GLL, GNS, GSA, GSV, GTD, HDG, HDT, MTW, MWV, RMA, RMB, RMC, RTE, THS, TLL, VHW, VTG, WPL, XTE, ZDA, PFEC (SDmrk/SDtbd/SDtfl/pidat)
CAN bus	1 Port	
Interface (CAN bus)	Input	126992, 127245, 127250, 127251, 127258, 127488, 127489, 127493, 127497, 127505, 128259, 128267, 128275, 129025, 129026, 129029, 129038, 129039, 129040, 129041, 129284, 129285, 129538, 129540, 129793, 129794, 129798, 129808, 129809, 129810, 130306, 130310, 130311, 130312, 130313, 130314, 130316, 130577, 130830, 130831, 130832, 130880
	Output	126992, 127245, 127250, 127251, 127257, 127258, 127505, 128259, 128267, 128275, 129025, 129026, 129029, 129033, 129283, 129284, 129285, 130306, 130310, 130312, 130316, 130830, 130831, 130832
Micro SD Card Slot	2 Slots (SD, SDHC Acceptable)	
<b>ENVIRONMENT</b>		
Temperature	-15° C to +55° C	
Waterproofing	IP56	
<b>POWER SUPPLY</b>		
	12-24 VDC, 1.37-0.64 A	12-24 VDC, 1.6-0.8 A



Beware of similar products

All brand and product names are registered trademarks, trademarks or service marks of their respective holders.

SPECIFICATIONS SUBJECT TO CHANGE WITHOUT NOTICE

**FURUNO ELECTRIC CO., LTD.**  
 Japan | www.furuno.com

**FURUNO U.S.A., INC.**  
 U.S.A. | www.furunousa.com

**FURUNO PANAMA S.A.**  
 Republic of Panama | www.furuno.com.pa

**FURUNO (UK) LIMITED**  
 U.K. | www.furuno.co.uk

**FURUNO NORGE A/S**  
 Norway | www.furuno.no

**FURUNO DANMARK A/S**  
 Denmark | www.furuno.dk

**FURUNO SVERIGE AB**  
 Sweden | www.furuno.se

**FURUNO FINLAND OY**  
 Finland | www.furuno.fi

**FURUNO POLSKA Sp. z o.o.**  
 Poland | www.furuno.pl

**FURUNO DEUTSCHLAND GmbH**  
 Germany | www.furuno.de

**FURUNO FRANCE S.A.S.**  
 France | www.furuno.fr

**FURUNO ESPAÑA S.A.**  
 Spain | www.furuno.es

**FURUNO ITALIA S.R.L.**  
 Italy | www.furuno.it

**FURUNO HELLAS S.A.**  
 Greece | www.furuno.gr

**FURUNO (CYPRUS) LTD**  
 Cyprus | www.furuno.cy

**FURUNO EURUS LLC**  
 Russian Federation | www.furuno.ru

**FURUNO SHANGHAI CO., LTD.**  
 China | www.furuno.com/cn

**FURUNO CHINA CO., LTD.**  
 Hong Kong | www.furuno.com/cn

**FURUNO SINGAPORE**  
 Singapore | www.furuno.sg

**PT FURUNO ELECTRIC INDONESIA**  
 Indonesia | www.furuno.id